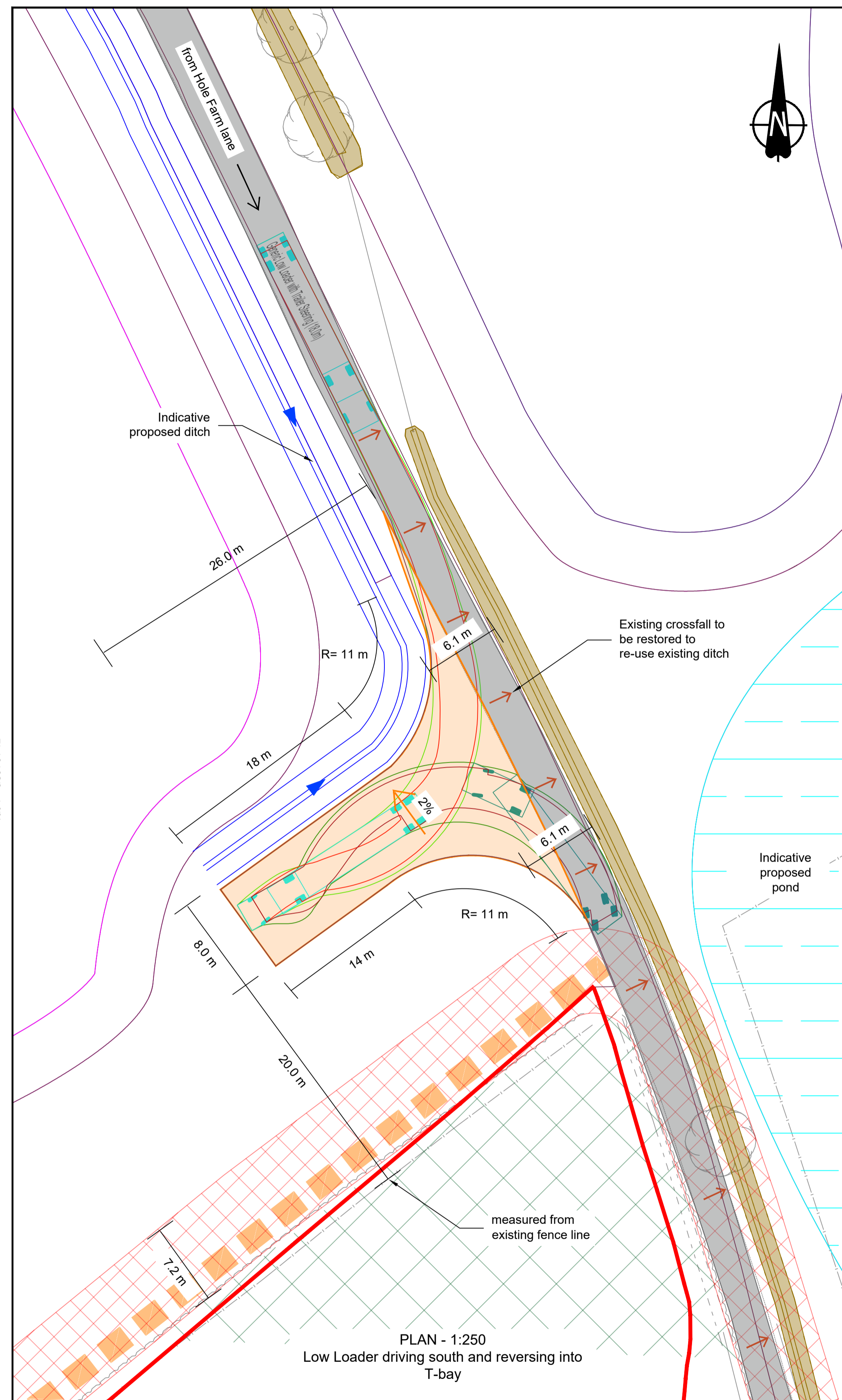
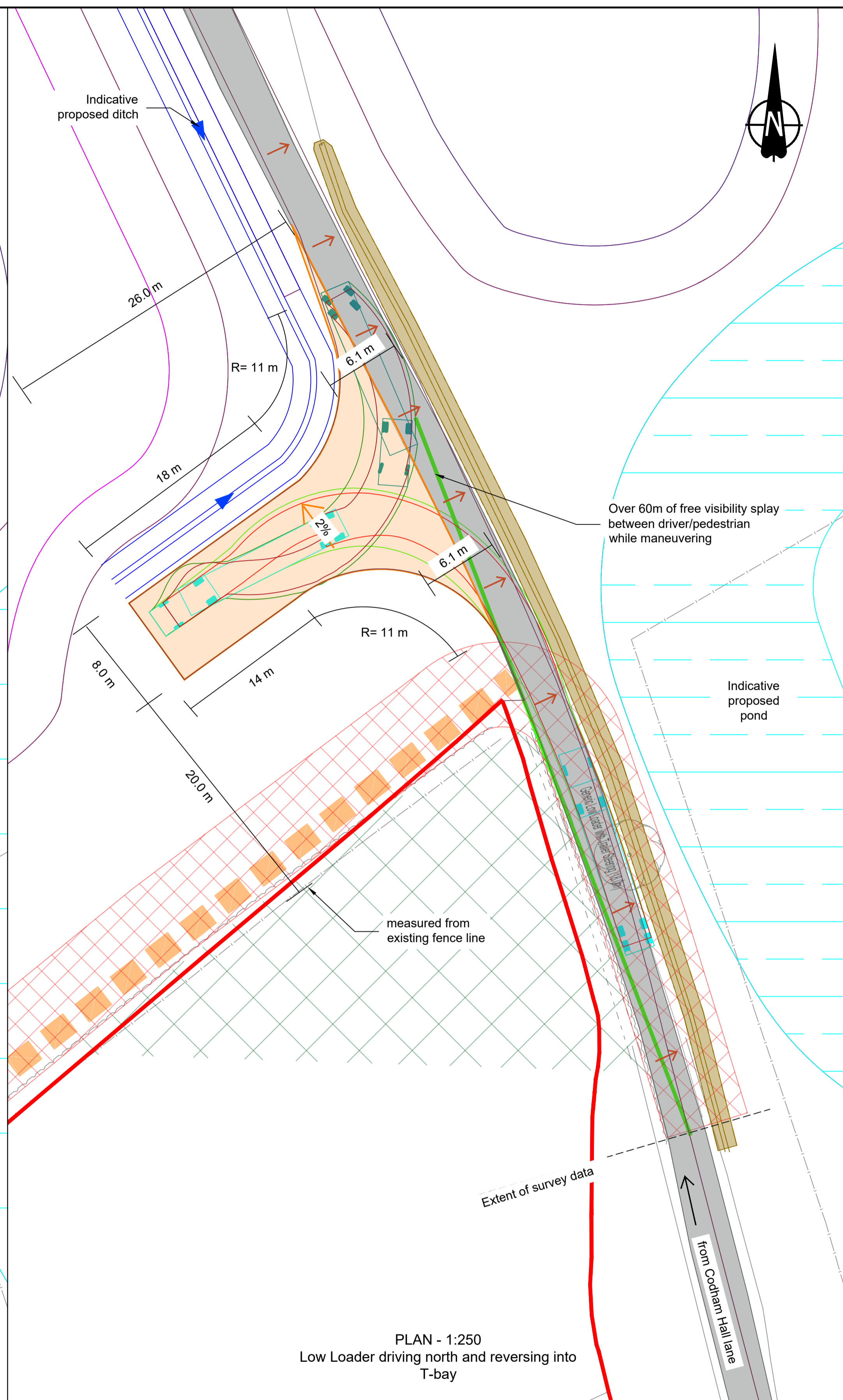


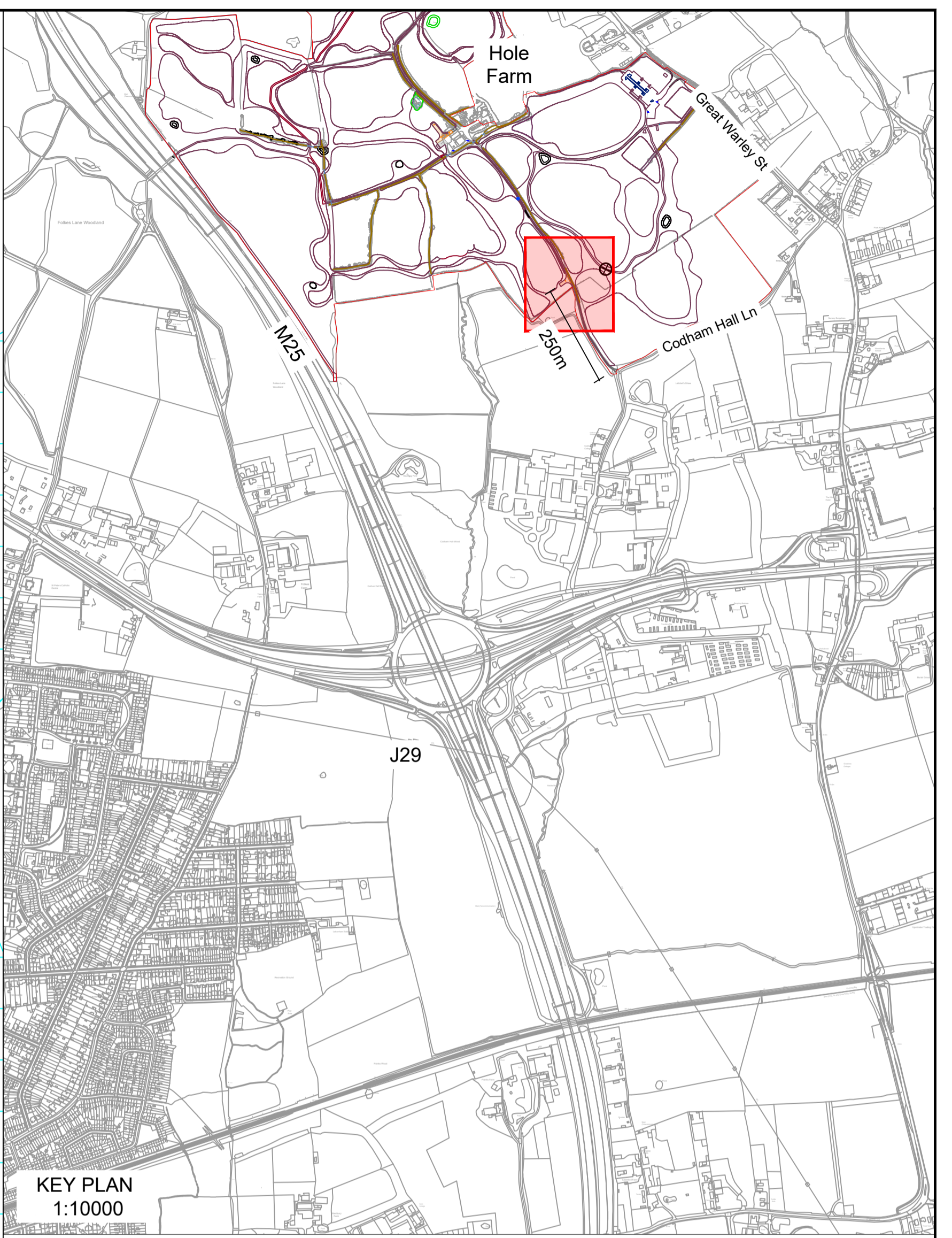
jur 1 - GC070742



PLAN - 1:250
Low Loader driving south and reversing into T-bay

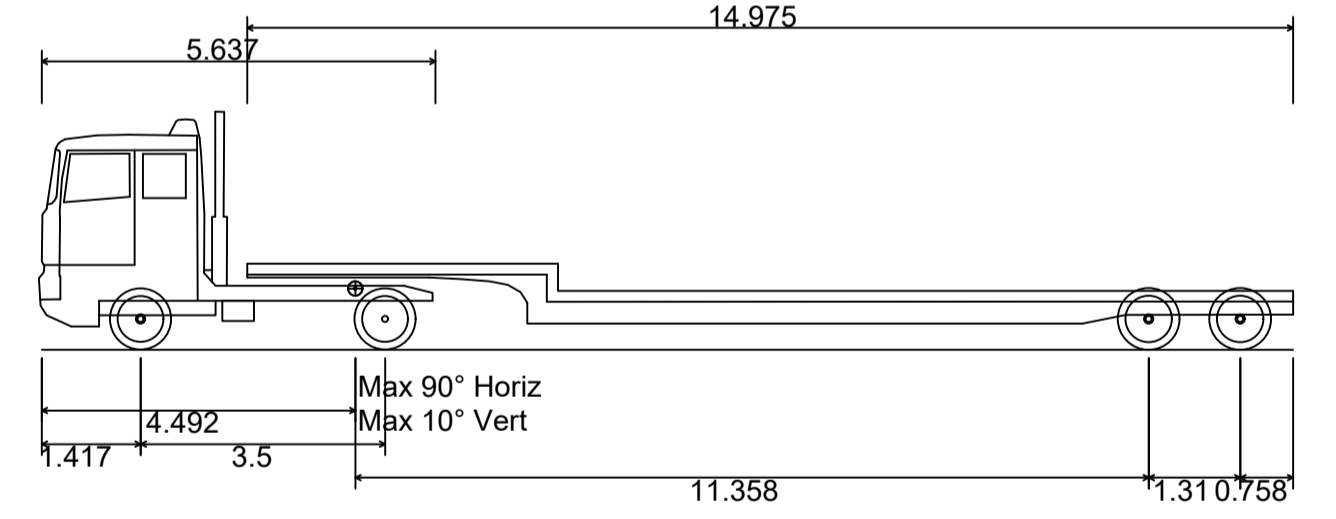


PLAN - 1:250
Low Loader driving north and reversing into T-bay



KEY PLAN
1:10000

VEHICLE TRACKING ANALYSIS



Generic Low Loader with Trailer Steering (18.0m)

Overall Length	17.918m
Overall Width	2.540m
Overall Body Height	3.408m
Min Body Ground Clearance	0.332m
Max Track Width	2.520m
Lock to lock time	6.00s
Kerb to Kerb Turning Radius	6.350m

KEY

	Topo Survey		Forward tyres pathway		Proposed unsealed prime aggregate
	Planning Application Boundary		Forward overhang pathway		Proposed Tarmac with Tar and chip finish of natural coloured, angled stone chip
	Visibility splay		Reverse tyres pathways		Existing retained vegetation BS 5837 Category B
	Proposed indicative shrub edge / tree planting		Reverse overhang pathway		Construction Exclusion Zone/ Root Protection Area
	Proposed indicative ditch		Indicative unsurfaced route		Existing ditch

NOTES

- Drawing to be printed in colour.
- Do not to scale from this drawing.
- Swept path analysis carried out with largest vehicle assumed to be using the bay: Generic Low Loader.
- Existing vegetation and construction exclusion zone defined by Arboricultural Assessment report.
- For detailed drainage proposal refer to drainage plan.



Client	FORESTRY ENGLAND
Project	HOLE FARM COMMUNITY WOODLAND

Drawing title		Highways Swept path analysis Turning heads T-bay south	
Drawing status		Fit for information	
Scale	@ A1	DO NOT SCALE	
Jacobs No.	J*****	Rev	
Client No.		Rev	R02
Drawing number		Hole-Farm_Highways.001	

© Copyright 2022 Jacobs U.K. Limited. The concepts and information contained in this document are the property of Jacobs. Use or copying of this document in whole or in part without the written permission of Jacobs constitutes an infringement of copyright. Limitation: This drawing has been prepared on behalf of and for the exclusive use of Jacobs Client, and is subject to, and issued in accordance with, the provisions of the contract between Jacobs and the Client. Jacobs accepts no liability or responsibility whatsoever for, or in respect of, any use of, or reliance upon, this drawing by any third party.